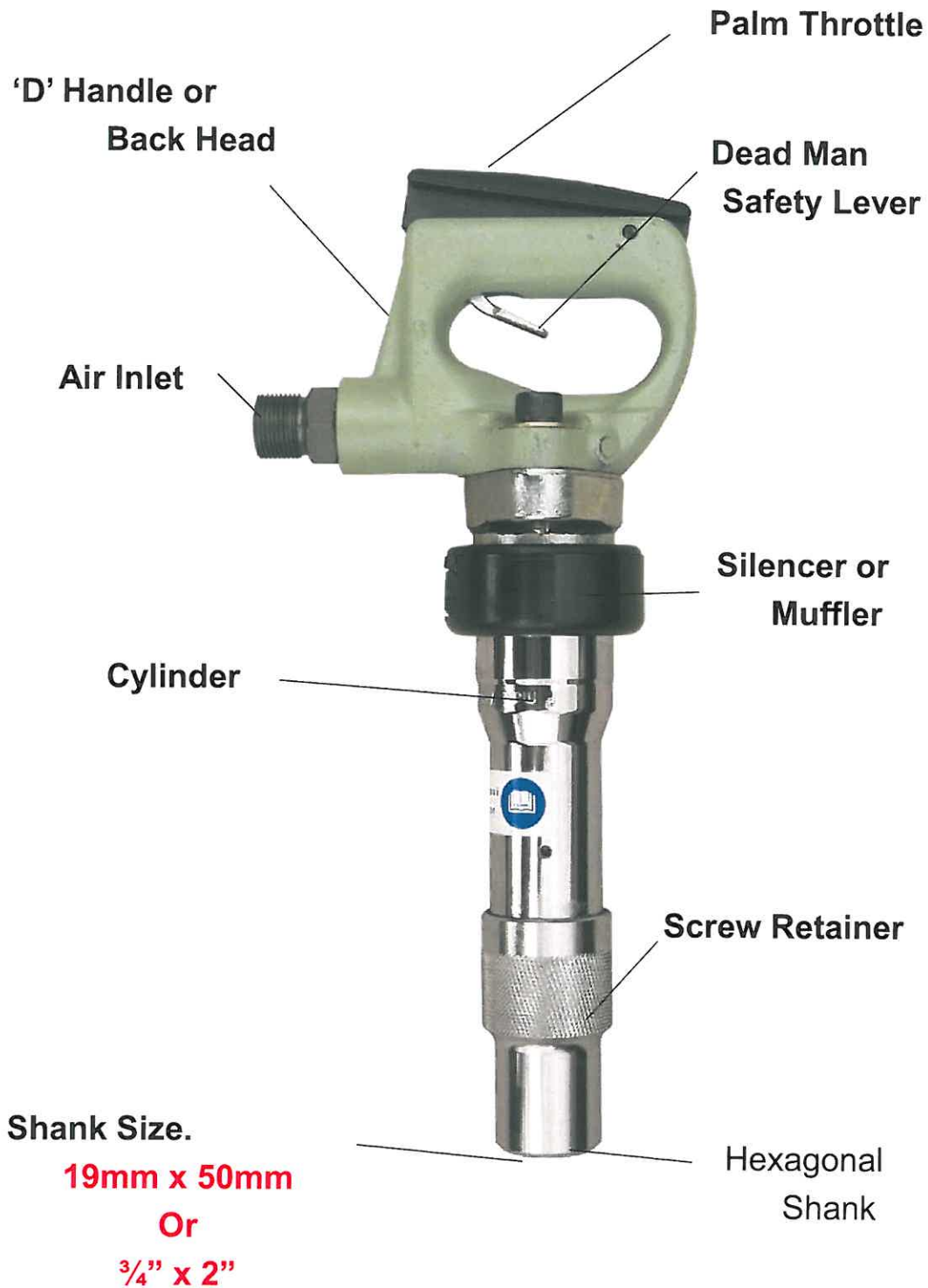


SK5 Chipping Hammer 5.1Kg

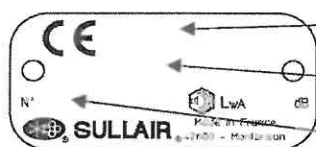


**PIQUEURS - PNEUMATIC HAMMER
ABBAUHAMMER - PICCONATRICE - PICADOR**

SK5S - SK6S

| | SK5S | SK6S |
|---|----------------------------|---|
| Poids / weight / Gewicht / Peso / Peso (Kg / Lb) | 5,12 / 11,26 | 5,62 / 12,36 |
| Longueur / length / Gesamtlänge / Lunghezza / Longitud (mm) | 387 | 390 |
| Alésage / Bore / Bohrung duchmesser / Alesaggio / Escariado (mm) | Ø : 28 | Ø : 28 |
| Course piston / Piston stroke / Kolbenhub / Corsa del pistone Carrera del piston (mm) | 46 | 46 |
| Cadence de frappe / B.P.M. / Schlagzahl / Colpi Golpes por minuto (cps/min.) | 2940 | 2940 |
| Pression / Pressure / Betriebsdruck / Pressione / Presion (Bar/PSI) | 6 / 87 | 6 / 87 |
| Emmanchement / Sleeve fitting / Einsteckende / Immanicatura Enmangadura (mm / in) | H. 19 x 50 H. 3/4" x 2" | C.H. 17,3 x 60 C.H.43,6/64" x 2 3/8" |
| Emmanchement option / Optional sleeve fitting / Einsteckende wahlweise Immanicatura opzionale / Enmangadura opcional (mm / in) | | Conique Conical |
| Consommation / Air consumption / Luftverbrauch / Consumo aria Consumo de aire (l/mn / CFM) | 480 / 16,96 | 480 / 16,96 |
| Flexible / Hose / Schlauch anschluss / Manguera (mm / in) | Ø : 16 / 5/8" | Ø : 16 / 5/8" |
| Puissance acoustique / Acoustic power / Schall-Leistung / Potenza acustica Potencia acustica [Lw / dB(A)] | < 108 | < 105 |
| Niveau sonore / Sound level / Schallpegel / Livello sonoro Nivel sonoro [dB (A)]* | 95,5 | 95,5 |
| Vibrations / Vibrations / Vibrationen / Vibrazioni / Vibraciones (m/s2) (ISO 8662-5) | 5,01 | 6,26 |

* Niveau sonore mesuré à l'oreille de l'opérateur. -Noise emission level measured at operator's ear.-Geräuschpegel am Ohr des Bedieners. - Misurato presso l'orecchio dell'operatore. -Nivel de ruido medido en la oreja del operador.



REFERENCE / REFERENCE / BEZUGNAHME / RIFERIMENTO / REFERENCIA

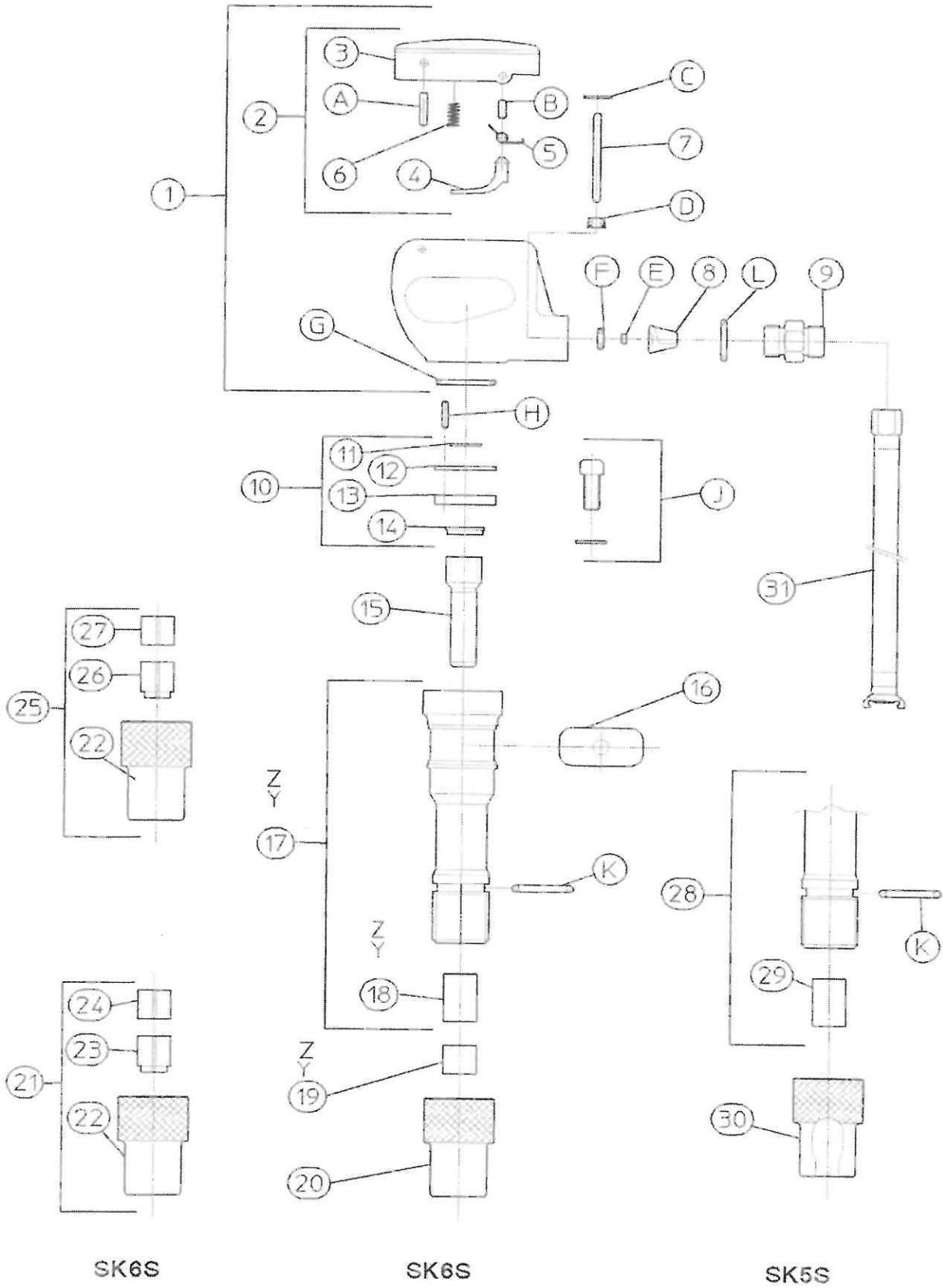
DESIGNATION / DESIGNATION / BENNENUNG / DESIGNAZIONE / DESIGNACION

N° DE SERIE / SERIAL NUMBER / SERIENNUMMER / N° DI SERIE / N° DE SERIE

Réf.68724059

Date dernière mise à jour : 11 - 2005

 **SULLAIR®**



| | | | | | | | |
|----|------------|---|-----------------------|----------------------|----------------------|--------------------------|-------------------------|
| 1 | 68780231 | 1 | Poignée montée : | Fitted handle : | Handgriff kpl : | Manico montato : | Empunadura montada : |
| 2 | * 68780232 | 1 | -Kit gachette : | -Trigger kit : | -Drücker kit : | -Grilletto kit : | -Gatillo kit : |
| 3 | 68723049 | 1 | -Gachette | -Trigger | -Drücker | -Guiletto | -Gatillo |
| 4 | 68722861 | 1 | -Verrou | -Latch | -Riegel | -Chiavistello | -Cerrojo |
| 5 | 68722862 | 1 | -Ressort | -Spring | -Feder | -Molla | -Muelle |
| 6 | 68MR 0803 | 1 | -Ressort | -Spring | -Feder | -Molla | -Muelle |
| A | * 68723013 | 1 | -Goupille | -Pin | -Spindel | -Perno | -Eje |
| B | * 68722863 | 1 | -Goupille | -Pin | -Spindel | -Perno | -Eje |
| 7 | * 68722705 | 1 | -Poussoir | -Rod | -Stange | -Asta | -Vastago |
| C | * 68524303 | 1 | -Circlips | -Circlips | -Circlips | -Circlips | -Circlips |
| D | * 68524302 | 1 | -Joint | -Gasket | -Dichtung | -Giunto | -Junta |
| 8 | 68721463 | 1 | -Basculeur | -Lever | -Kipphebel | -Balanciero | -Motovolquete |
| 9 | 68MT 0750 | 1 | -Mamelon | -Nipple | -Nippel | -Nippel | -Racor |
| E | 68722206 | 1 | -Etrangleur | -Nozzle | -Öldüse | -Spruzzatore | -Surtidor |
| F | 68CJ 0181 | 1 | -Joint | -Gasket | -Dichtung | -Giunto | -Junta |
| G | 68524379 | 1 | -Joint | -Gasket | -Dichtung | -Giunto | -Junta |
| L | 68CJ 0018 | 1 | -Joint | -Gasket | -Dichtung | -Giunto | -Junta |
| H | 68MA 0502 | 1 | Axe | Pin | Achse | Asse | Eje |
| 10 | * 68780155 | 1 | Kit distribution : | Complete inlet valve | Verteiler : | Distribuzione completa : | Distribucion compl. : |
| 11 | 68722724 | 1 | -Pastille | -Insert | -Steuerscheibe | -Pastilla | -Pastiglia |
| 12 | 68721492 | 1 | -Plaque d'épaisseur | -Shimplate | -Ventilscheibe | -Palacar de espessa | -Piastra de spessore |
| 13 | 68722595 | 1 | -Siège de frappe | -Seat | -Sitz | -Sede | Asiento |
| 14 | 68722598 | 1 | -Amortisseur | -Shock absorber | -Stossdämpfer | -Ammortizzatore | -Amortiguador |
| 15 | 68721495 | 1 | Piston | Piston | Kolben | Pistone | Embolo |
| J | * 68780061 | 1 | Kit vis CHC+ rondelle | Screw+washer kit | Schraube+scheibe kit | Vite + rondella kit | Tornillo + arandela kit |
| 16 | 68723187 | 1 | Carter d'air | Crank case | Gehäuse | Carter | Carter |
| K | 68CJ 0027 | 1 | Joint | Gasket | Dichtung | Giunto | Junta |

SK6S Emmanch. 17,3 x 60

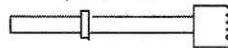
| | | | | | | | |
|-----|-----------|---|---------------|----------------|--------------|-------------------|----------------------|
| 17Y | 68721691 | 1 | Fût manchonné | Sleeved barrel | Zylinder für | Fusto a manicotto | Fustra emangada |
| 18Y | 68TB 8110 | 1 | -Manchon | -Sleeve | -Büchse | -Manicotto | -Mango |
| 19Y | 68TB 0392 | 1 | Bague L=25 | Ring L=25 | Ring L=25 | Anello L=25 | Anillo L=25 |
| 20 | 68TB 0391 | 1 | Décaleur | Clamp | Schraubkappe | Distanziatore | Collarin de fijacion |

SK6S Emmanch. Conique

| | | | | | | | |
|-----|-----------|---|---------------|----------------|--------------|-------------------|----------------------|
| 17Z | 68721693 | 1 | Fût manchonné | Sleeved barrel | Zylinder für | Fusto a manicotto | Fustra emangada |
| 18Z | 68TB 8310 | 1 | -Manchon | -Sleeve | -Büchse | -Manicotto | -Mango |
| 19Z | 68TB 0393 | 1 | Bague L=15 | Ring L=15 | Ring L=15 | Anello L=15 | Anillo L=15 |
| 20 | 68TB 0391 | 1 | Décaleur | Clamp | Schraubkappe | Distanziatore | Collarin de fijacion |

SK5S Emmanch. 19 x 55

| | | | | | | | |
|----|----------|---|---------------|----------------|--------------------|-------------------|----------------------|
| 28 | 68780063 | 1 | Fût manchonné | Sleeved barrel | Zylinder für | Fusto a manicotto | Fustra emangada |
| 29 | 68721491 | 1 | -Manchon | -Sleeve | -Büchse | -Manicotto | -Mango |
| 30 | 68722024 | 1 | Décaleur | Clamp | Schraubkappe | Distanziatore | Collarin de fijacion |
| 31 | 68000669 | 1 | Manchette | Hose coupling | Anschluss Schlauch | Impugnatura | Conexion manguera |
| * | 68780090 | 1 | Kit (A->L) | Kit (A->L) | Kit (A->L) | Kit (A->L) | Kit (A->L) |



SK6S Emmanch. 17,3 x 60

| | | | | | | | |
|----|-----------|---|--------------------|-------------------|---------------------|----------------------|------------------------|
| 21 | 68TB 0398 | 1 | Ensemble décaleur | Clamp assy | Schraubkappe kpl. | Distanziatore compl. | Collarin de fij. Conj. |
| 24 | 68TB 0385 | 1 | -Bague fendue L=25 | -Split ring L=25 | -Spaltring L=25 | -Anello L=25 | -Anillo L=25 |
| 23 | 68TB 0384 | 1 | -Bague en 2 p. L34 | -2 part ring L=34 | -Ring 2 teilig L=34 | -Anello 2 pezzi L=34 | -Anillo 2 piezas L=34 |
| 22 | 68TB 0390 | 1 | -Décaleur | -Clamp | -Schraubkappe | -Distanziatore | -Collarin de fijacion |

SK6S Emmanch. Conique

| | | | | | | | |
|----|-----------|---|--------------------|-------------------|---------------------|----------------------|------------------------|
| 25 | 68TB 0399 | 1 | Ensemble décaleur | Clamp assy | Schraubkappe kpl. | Distanziatore compl. | Collarin de fij. Conj. |
| 27 | 68TB 0381 | 1 | -Bague fendue L=15 | -Split ring L=15 | -Spaltring L=15 | -Anello L=15 | -Anillo L=15 |
| 26 | 68TB 0380 | 1 | -Bague en 2 p. L24 | -2 part ring L=24 | -Ring 2 teilig L=24 | -Anello 2 pezzi L=24 | -Anillo 2 piezas L=24 |
| 22 | 68TB 0390 | 1 | -Décaleur | -Clamp | -Schraubkappe | -Distanziatore | -Collarin de fijacion |

* pièces
recommandées
pour votre stock

* recommended
parts for your stock

* empfohlene
Bevorratungs-teile

* pezzi
recomandati per
il vostro stock

* Piezas aconsejadas
para vuestro stock

DESIGNATION

DESIGNATION

BENENNUNG

DESIGNAZIONE

DESIGNACION



SK5S - SK6S

11-2005

This page has been
left blank intentionally.